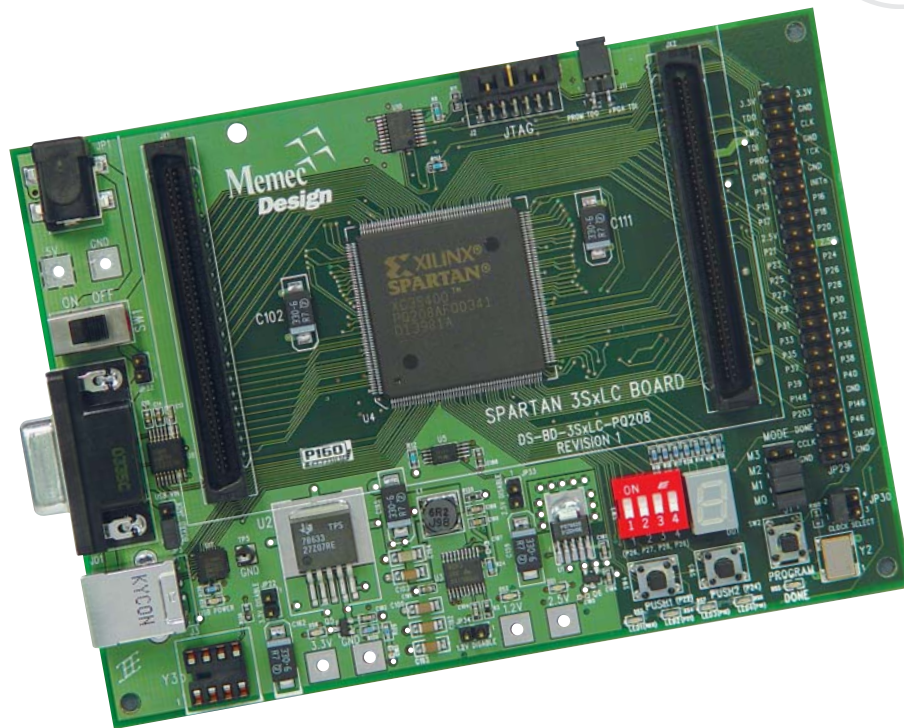
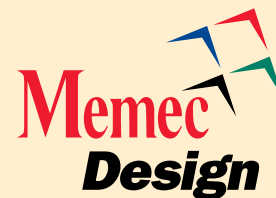


## ▶ Spartan-3™ LC



**The Memec Design Spartan-3 LC Development Kit is the perfect solution for FPGA and system designers who need a low cost, flexible and feature-rich prototype platform.**

▶▶ The Spartan-3 LC Development Kit provides a complete, low cost solution for developing designs and applications based on the Xilinx® Spartan-3 FPGA family. The kit bundles an expandable Spartan-3 based system board with a power supply, user guide and reference designs.

Also available from Memec Design are optional P160 expansion modules that enable further application specific prototyping and testing, and Xilinx ISE WebPACK™ and BaseX software kit options. The Spartan-3 system board utilizes the 400,000-gate Xilinx Spartan-3 device (XC3S400-4PQ208) in the 208-pin quad flat pack package. The high gate density and advanced features included in the Spartan-3 FPGA allows complete system solutions to be implemented in the low cost device. The system board includes multiple clocking options, up to 109 user I/O connections via the P160 expansion slot, an RS-232 port, a

USB 2.0 port, a socket for the addition of a user clock, a 7-segment LED display, user LEDs, switches, and additional user support circuits. A dedicated 50-pin header is included for the connection of the optional Memec Design System ACE module. The ACE module provides FPGA configuration support as well as access to compact flash memory cards. The board also supports the Memec Design P160 expansion module standard, which allows application-specific expansion modules such as 10/100 Ethernet, flash/SRAM memory, and analog I/O to be easily added.

The Spartan-3 FPGA family has the advanced features needed to fit the most demanding, high volume applications. The Memec Design Spartan-3 LC Development Kit provides an excellent platform to explore these features so that you can quickly and effectively meet your time-to-market requirements.

### ▶▶ Features

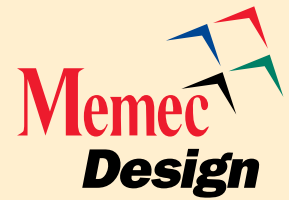
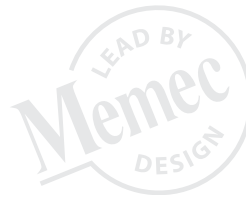
- ▶ Easy to use modular development platform
- ▶ Based on the 400,000 gate Spartan-3 FPGA
- ▶ P160 expansion connectors for 109 user I/O
- ▶ USB and RS232 interfaces
- ▶ Configuration support for JTAG and Platform Flash
- ▶ System ACE module connector
- ▶ Low cost and flexible

### ▶▶ Applications

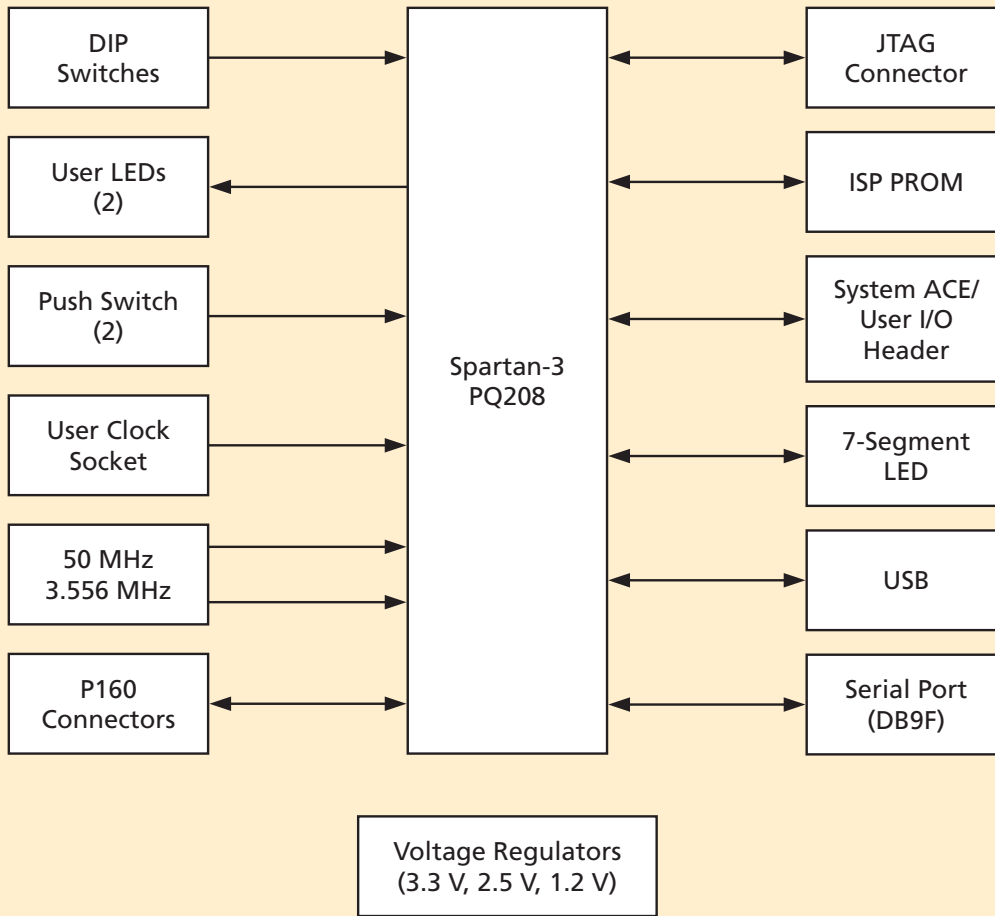
- ▶ MicroBlaze™ soft processor development
- ▶ IP development
- ▶ General-purpose prototyping platform
- ▶ Digital signal processing
- ▶ Interface verification

### Memec Design

xilinx.info@memecdesign.com  
888.488.4133 x286 (North America Only)  
858.314.8190 (Outside US)



# ▶ Spartan-3™ LC



## ▶ Spartan-3 LC Development Kit Includes:

- ▶ Spartan-3 LC Demonstration Board
  - 400,000 gate Spartan-3 FPGA device (XC3S400-4PQ208)
  - P160 expansion slot
  - System ACE/User I/O Header
  - USB 2.0 port
  - RS232 serial port
  - User clock socket
  - One 7-segment LED display
  - User LEDs and switches
  - On-board clock oscillator
  - JTAG configuration port
  - XCF02S Platform Flash ISP PROM
  - 3.3 V, 2.5 V and 1.2 V regulators
- ▶ AC/DC power supply adapter
- ▶ Complete reference designs with source code (VHDL and/or Verilog HDL)
- ▶ Bundled software options

## ▶ Ordering Information

Spartan-3 LC Development Kit	Americas Part#	International Part#
Spartan-3 LC 3S400 Development Kit	DS-KIT-3SLC400	DS-KIT-3SLC400-EURO
With WebPACK CD and JTAG Cable	DS-KIT-3SLC400-PAK	DS-KIT-3SLC400-PAK-EURO
With ISE BaseX and JTAG Cable	DS-KIT-3SLC400-BAS	

## Memec Design

xilinx.info@memecdesign.com  
 888.488.4133 x287 (North America Only)  
 858.314.8190 (Outside US)